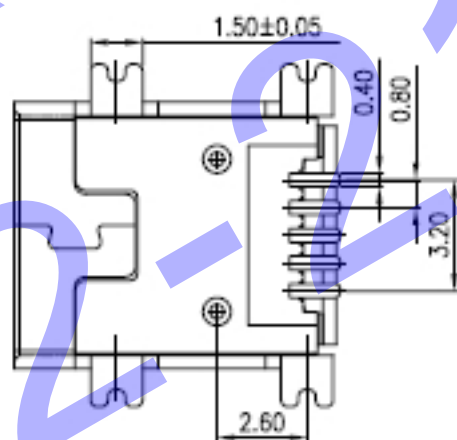
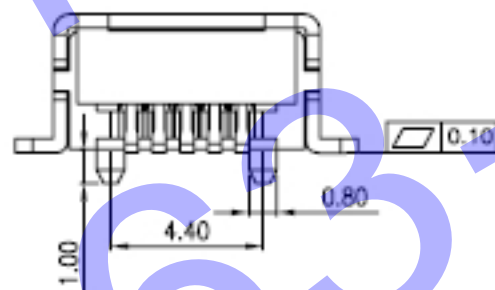
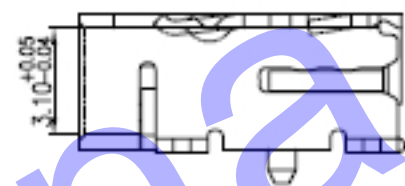
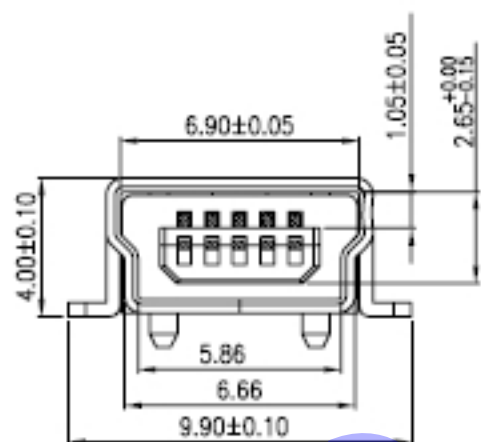
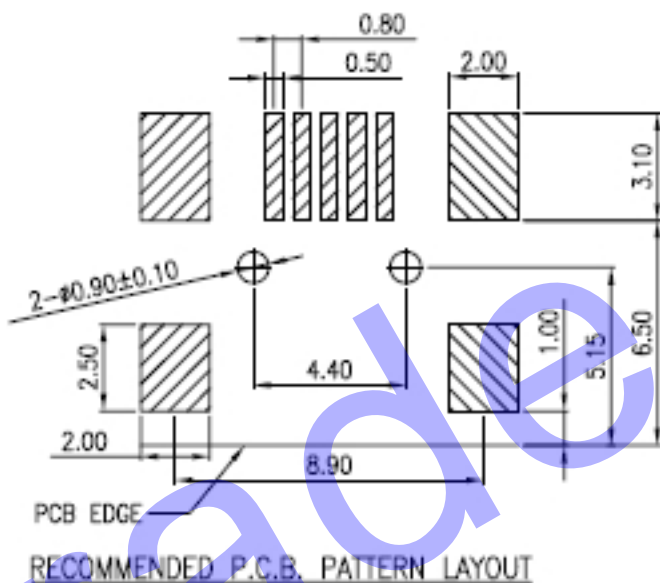
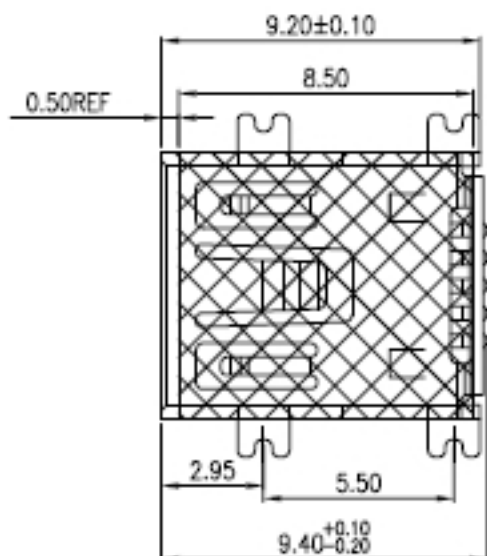




AUTOCAD GENERATED DRAWING. DON'T CHANGE BY HAND.

REV.	ECN NO.	DESCRIPTION	DRAW	APPD.	DATE
B5	ECN1303250034	新增产品规格料号	JIANGWEI		2013-03-25
B6	ECN1511250019	新增产品规格料号(盐雾48H)	陈君	陈志福	2015-11-25
C	ECN1703060002	修正错误料号	陈君	谭军明	2017-03-03



NOTES:  
 1.MECHANICAL:  
 MATING: 35N MAX.  
 WITHDRAWAL: 7N MIN,INITIAL.  
 3N MIN AFTER 5000 CYCLES.  
 DURABILITY: 5000 CYCLES MIN.  
 2.ELECTRICAL:  
 CURRENT: 1.0A MAX  
 VOLTAGE: 30V MAX  
 WITHSTANDING VOLTAGE: 100V AC  
 CONTACT RESISTANCE: 50 mΩ MAX  
 INSULATION RESISTANCE: 100MΩ MIN  
 3.ENVIRONMENTAL  
 TEMPERATURE RANGE -55°C ~ +85°C  
 4.OTHER:  
 4.1 PRODUCT MEET ROHS STANDARD  
 4.2.PACKING: DWG-PK MUB-005  
 4.3.SPEC:LK-SP-MINI USB-003  
 4.4.Control of hazardous substances in accordance with  
 the file number: WI-QC-0057

UNITS mm	SCALE 1:1	REV. C	SHEET 1 OF 2
		DATE 2017-03-03	
GENERAL TOLERANCE		DR. 陈君	
0.	±0.30	CHK.	
0.0	±0.20	APPD.	
0.00	±0.15		
0.*	±3'		
0.0'	±2'		

H D C 有限公司

TITLE CN442 MINI USB 5F SMT(有后盖) POST H=1.0 贴唛哦	
MAT'L SEE TABLE	FINISH SEE TABLE
DWG.NO. DWG-MUB 5F-025	PART NO. SEE TABLE
A	SIZE A4